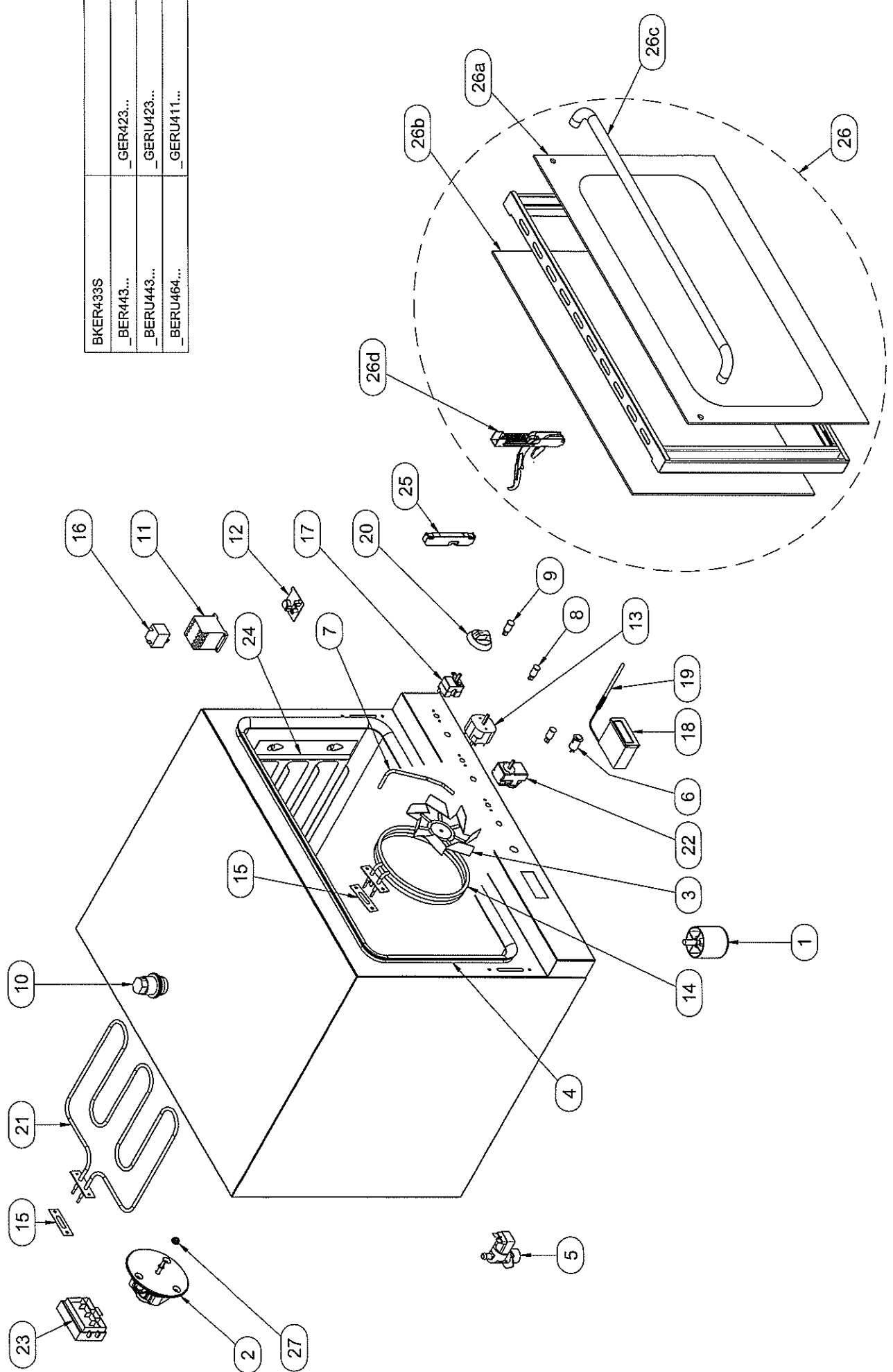


**Mod./Type: FORNO ELETTRICO 4T PORTA RIBALTA  
ELECTRIC OVEN 4T DROP DOWN DOOR**

cod./num. 2531395.00

data/date: 27/05/2013

BKER433S	
_BER443...	_GER423...
_BERU443...	_GERU423...
_BERU464...	_GERU411...



Mod.:	FORN ELETRICI VENTILATI										cod. / num.		2531396.00		2531396.00		NOTE		
	ELECTRIC FAN OVENS										data / date		03/06/2013		rif. / ref.			2531396.00	
	POS.	DESCRIZIONE	DESCRIPTION	DENOMINATION	BENENNUNG	COD.	RECOMMENDED SPARE PARTS	RECOMMENDED SPARE PARTS	RECOMMENDED SPARE PARTS	RECOMMENDED SPARE PARTS	RECOMMENDED SPARE PARTS	RECOMMENDED SPARE PARTS	RECOMMENDED SPARE PARTS	RECOMMENDED SPARE PARTS	RECOMMENDED SPARE PARTS	RECOMMENDED SPARE PARTS		RECOMMENDED SPARE PARTS	RECOMMENDED SPARE PARTS
1	PIEDINO	FOOT	PIED	STELLFUSS	551.011.00														
2	MOTORE	MOTOR	MOTEUR	MOTOR	551.012.00	*													
3	VENTOLA	FAN	VENTILATEUR	LÜFTERRAD	M569010100	*													
4	GUARNIZIONE	WASHER	GUARNITURE	DICHTUNGSRING	564.038.00														
5	ELETTROVALVOLA	SOLENOID VALVE	ELECTROVANNE	ELEKTROVENTIL	544.017.00														
6	PULSANTE INIEZIONE ACQUA	WATER INJECTION PUSH BUTTON	POUSSOIR INJECTION EAU	WASSERSPRITZKNOPF	553.011.00														
7	EROGATORE	NOZZLE	INJECTEUR	SPRÜHDÖSE	553.012.00														
8	SPIA VERDE	GREEN INDICATOR LIGHT	LAMPE TEMOIN VERTE	GRÜNE KONTROLLAMPE	256.055.00														
9	SPIA ARANCIO	ORANGE INDICATOR LIGHT	LAMPE TEMOIN ORANGE	ORANGE KONTROLLAMPE	561.039.00														
10	LAMPADA	LAMP	LAMPE	LAMPE	531.036.00														
11	CONTATTORE	CONTACTOR	CONTACTEUR	FERNSCHALTER	963.013.00	*													
12	BUIZZER	BUZZER	SONNERIE	KLINGELTON	563.004.00														
13	TIMER	TIMER	TIMER	ZETTSCHALTUHR	461.021.00														
14	RESISTENZA	HEATING ELEMENT	RESISTANCE	HEIZELEMENT	256.052.00	*													
15	GUARNIZIONE RESISTENZA	HEATING ELEMENT GASKET	JOINT DE LA RESISTANCE	WIDERSTANDDICHTUNG	561.041.00	*													
16	TERMOSTATO SICUREZZA	SAFETY THERMOSTAT	THERMOSTAT DE SECURITE	TEMPERATURBEGRENZER	M563000800	*													
17	TERMOSTATO	THERMOSTAT	THERMOSTAT	THERMOSTAT	565.005.00														
18	TERMOMETRO DIGITALE	DIGITAL THERMOMETER	TERMOMETRE DIGITAL	DIGITALES THERMOMETER	553.008.00														
19	SONDA TCI	TCI PROBE	SONDE TCI	FÜHLER TCI	561.038.00														
20	MANOPOLA	KNOB	BOULTON	DREHKNOFF	561.044.00														
21	RESISTENZA GRILL	GRILL HEATING ELEMENT	RESISTANCE DU GRILL	HEIZKÖRPER GRILL	551.014.00														
22	TIMER GRILL	GRILL TIMER	MINUTERIE GRIL	GRILL ZETUHR	565.006.00														
23	MORSETTIERA	TERMINAL BOARD	BORNES	KLEMMENBREIT	561.042.00														
24	COPPIA REGGIRIGLIA	TRAY RACK KIT	COUPLE DE PORTE-PLAQUES	PAAR EINHÄNGEGESTELL	663.040.00														
25	PORTARULLINO	ROLL HOLDER	PORTE-AGUILLE DE ROULEMENT	ROLLE-TRÄGER	503.508.40	*													
26	PORTA	DOOR	PORTE	TÜR	594.005.00														
26a	VERO ESTERNO	OUTER GLASS	VERRE EXTERIEUR	ÄUßERES GLAS	256.238.00														
26b	VERO INTERNO	INNER GLASS	VERRE INTERIEUR	INNERES GLAS	555.014.00														
26c	MANIGLIA	HANDLE	POIGNÉE	HANDGRIFF	555.018.00														
26d	CERNIERA	JOINT	CHARNIERE	SCHARNIER	511.108.00														
27	DADO VENTOLA	FAN RUT	ÉCROU VENTILATEUR	MUTTER DES LÜFTERRAD	584.001.00	*													
28					564.045.00														
29																			
30																			
31																			
32																			
33																			
34																			

Mod.:	FORNI ELETTRICI VENTILATI ELECTRIC FAN OVENS			cod. / num. data / date ref. / ref.	2531396.00 09/06/2013 2531395.00	RICAMBI CONSUMENTI - RECOMMENDED SPARE PARTS RECHANGES - ERFAHRENEN ERSATZTEILE	GER423ECO GER423ECO GER423ECO	GER423 GER423 GER423	GER423 GER423 GER423	GER423 GER423 GER423	GER411 GER411 GER411	GER411TD GER411TD GER411TD	GER411PW GER411PW GER411PW	GER411PWTD GER411PWTD GER411PWTD	NOTE												
	POS.	DESCRIZIONE	DESCRIPTION													DENOMINATION	BIENNENNUNG	Q. ty									
																		4	4	4	4	4	4	4	4	4	4
1	PIEDINO	FOOT	PIED	STELFUSS	551.011.00												CON VENTOLA / WITH FAN										
2	MOTORE	MOTOR	MOTEUR	MOTOR	551.012.00	*																					
3	VENTOLA	FAN	VENTILATEUR	VENTILATEUR	M568010100 564.038.00 544.017.00	*																					
4	GUARNIZIONE	WASHER	GUARNITURE	GUARNITURE	553.011.00																						
5	ELETTROVALVOLA	SOLENOID VALVE	ELECTROVANNE	ELECTROVANNE	553.012.00																						
6	PULSANTE INIEZIONE ACQUA	WATER INJECTION PUSH BUTTON	POUSSOIR INJECTION EAU	POUSSOIR INJECTION EAU	256.055.00																						
7	EROSCATORE	NOZZLE	INJECTEUR	INJECTEUR	551.039.00 551.036.00																						
8	SPIA VERDE	GREEN INDICATOR LIGHT	LAMPE TEMOIN VERTE	GRUENE KONTROLLLAMPE	983.012.00																						
9	SPIA ARANCIO	ORANGE INDICATOR LIGHT	LAMPE TEMOIN ORANGE	ORANGE KONTROLLLAMPE	983.013.00 563.004.00																						
10	LAMPADA	LAMP	LAMPE	LAMPE	461.021.00	*																					
11	CONTATTORE	CONTACTOR	CONTACTEUR	FERNSCHALTER	256.052.00																						
12	BUZZER	BUZZER	SONNERIE	KLINGELTON	561.041.00	*																					
13	TIMER	TIMER	TIMER	ZEITSCHALTUHR	M563000800 M563000900	*																					
14	RESISTENZA	HEATING ELEMENT	RESISTANCE	HEINZELEMENT	565.005.00	*																					
15	GUARNIZIONE RESISTENZA	HEATING ELEMENT GASKET	JOINT DE LA RESISTENCE	WIDERSTANDDICHTUNG	563.008.00	*																					
16	TERMOSTATO SICUREZZA	SAFETY THERMOSTAT	THERMOSTAT DE SECURITE	TEMPERATURBEZUGER	561.036.00	*																					
17	TERMOSTATO	THERMOSTAT	THERMOSTAT	THERMOSTAT	561.038.00	*																					
18	TERMONETRO DIGITALE	DIGITAL THERMOMETER	TERMONETRE DIGITAL	DIGITALES THERMOMETER	561.043.00																						
19	SONDA TCI	TCI PROBE	SONDE TCI	FÜHLER TCI	561.044.00																						
20	MANOPOLA	KNOB	BOULTON	DREHKNOFF	551.014.00																						
21	RESISTENZA GRILL	GRILL HEATING ELEMENT	RESISTANCE DU GRILL	HEIZKÖRPER GRILL	565.006.00																						
22	TIMER GRILL	GRILL TIMER	MINUTERIE GRILL	GRILL ZEITUHR	561.042.00																						
23	MORSBETTIERA	TERMINAL BOARD	BORNES	KLEMMENBRETT	663.040.00																						
24	COPPIA REGGIGRIGLIA	TRAY RACK KIT	COUPLE DE PORTE-PLAQUES	PAAR ENHÄNGEGESTELL	503.511.40 503.533.40																						
25	PORTARULLINO	ROLL HOLDER	PORTE-AGUILLE DE ROULEMENT	ROLLE-TRÄGER	564.005.00	*																					
26	PORTA	DOOR	PORTE	TÜR	256.239.00																						
26a	RETRO ESTERNO	OUTER GLASS	VERRE EXTERIEUR	ÄUSSERES GLAS	555.014.00 555.018.00																						
26b	RETRO INTERNO	INNER GLASS	VERRE INTERIEUR	INNERES GLAS	555.013.00 555.017.00																						
26c	MANIGLIA	HANDLE	POIGNEE	HANDGRIFF	511.108.00 511.109.00																						
26d	CERNIERA	JOINT	CHARNIERE	SCHARNIER	564.001.00	*																					
27	DADO VENTOLA	FAN NUT	ECCROU VENTILATEUR	MUTTER DES LÜFTERRAD	564.045.00																						
28																											
29																											
30																											
31																											
32																											
33																											
34																											