



WSV25E/K

25L Thermal Circulator Integrated Water Bath



MAIN FEATURES

- 5 reprogrammable memory settings
- Temperature accuracy +/- .05°C (1°F)
- Integrated hose system easily and safely removes water from reservoir
- One-touch controls enable you to quickly set and adjust time and temperature
- All-stainless steel construction
- Circulates 6L of water per minute
- Temperature range 35°C – 90°C (95°F – 194°F)
- 99-hour timer
- 25-liter capacity (6.6 gallons)
- 220-240V, 2000W

ELECTRICAL

Voltage: 220-240v

Frequency: 50/60Hz

KW: 1.56

Amps: 13

Plug Type: WSV25E - F 
WSV25K - G 

Cord Length: 1.82 meters

CE RoHS

SALES FEATURES

Safely cook, hold and rethermalize food to the perfect temperature without ever overcooking. Our stainless steel thermal circulator is available with a compact or large water tank, complete with cover, rack, rack lift and drain hose. Out of the box, just add water and you're ready to achieve ideal texture, taste, and tenderness of meats, seafood, vegetables and more. Cook a variety of foods at the same time.

25L Thermal Circulator Integrated Water Bath

WSV25E/K



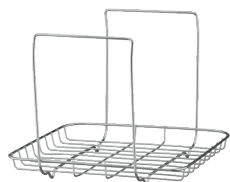
@waringcommercial

©2019 Waring Commercial
314 Ella T. Grasso Avenue, Torrington, CT 06790
Tel. 800-492-7464 • Fax 860-496-9008

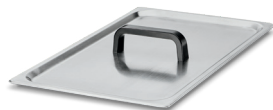
waringcommercialproducts.com



PARTS & ACCESSORIES



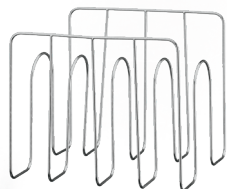
WSV25LRK Lift Rack



WSV25CVR Cover

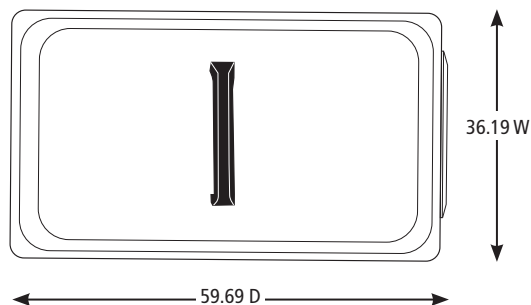
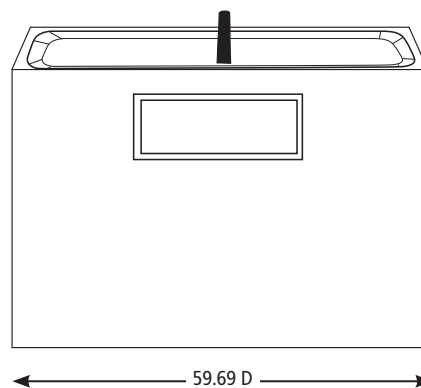
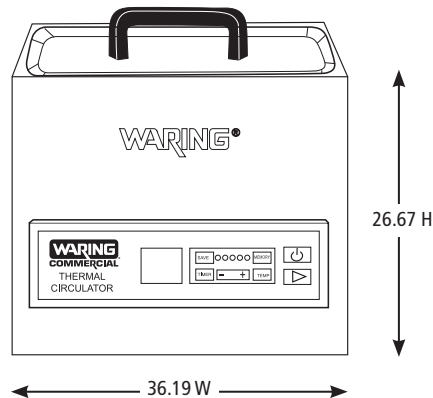


WSV16DH Drain Hose



WSV25RK Rack

DIMENSIONS (cm)



Out of Box Weight: 9.07 kg

ORDERING INFORMATION	#STD. PKG.	GIFTBOX WEIGHT (KG)	CUBIC METER	BOX DIMENSIONS L X W X H (CM)	UPC	CASE PKG.	MC WEIGHT (KG)	MC DIMENSIONS L X W X H (CM)	MBC
WSV25E – 25L Thermal Circulator Integrated Water Bath	1	11.79	0.09	65.3 x 42.86 x 33.33	040072083105	1	12.7	64.77 x 44.45 x 35.24	10040072083102
WSV25K – 25L Thermal Circulator Integrated Water Bath	1	11.79	0.09	65.3 x 42.86 x 33.33	040072083129	1	12.7	64.77 x 44.45 x 35.24	10040072083126

