

Exploded diagram and spare parts list

DN586

For Exploded View of Main Machine

[Click here](#)

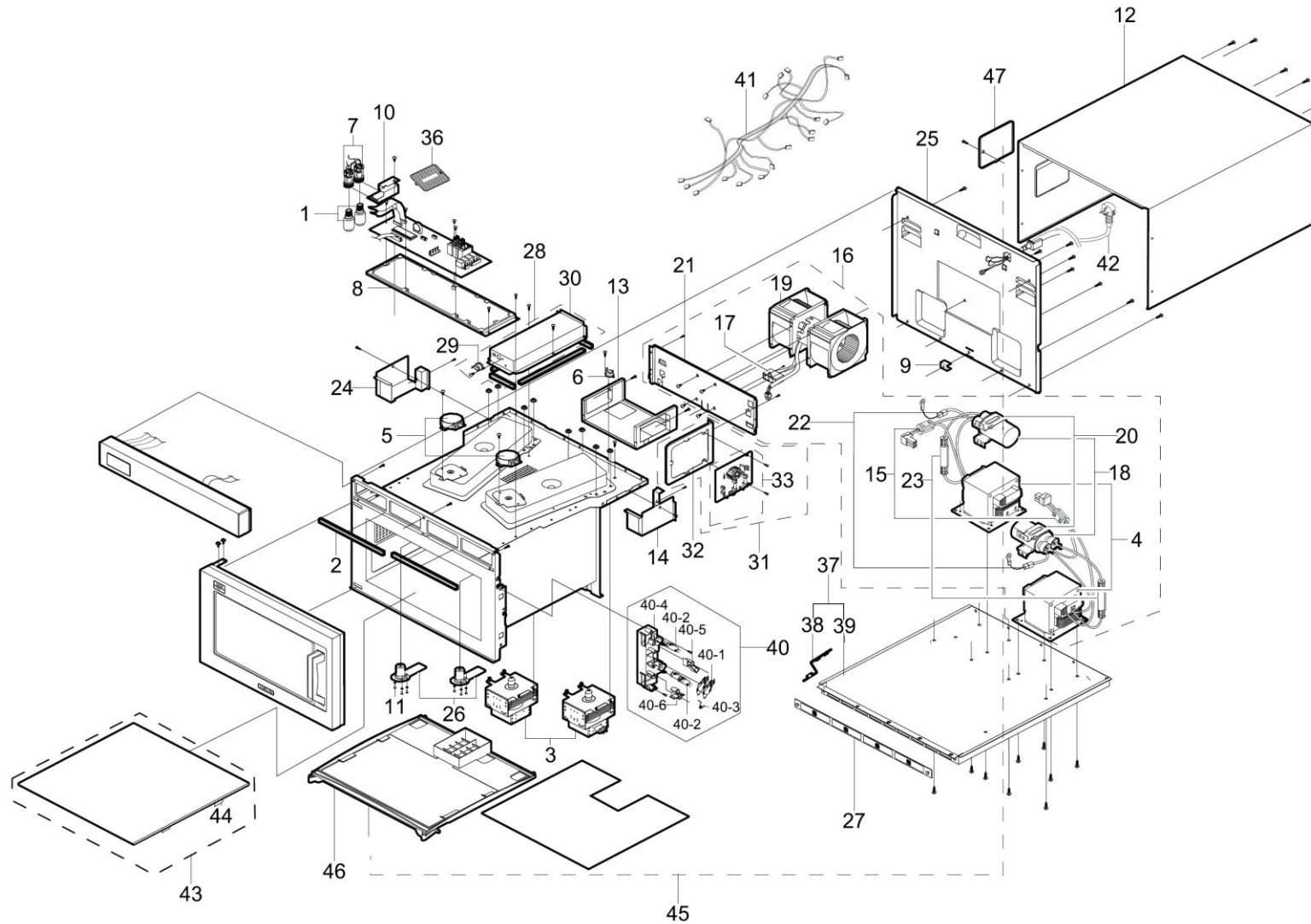
For Exploded View of Door Assy

[Click here](#)

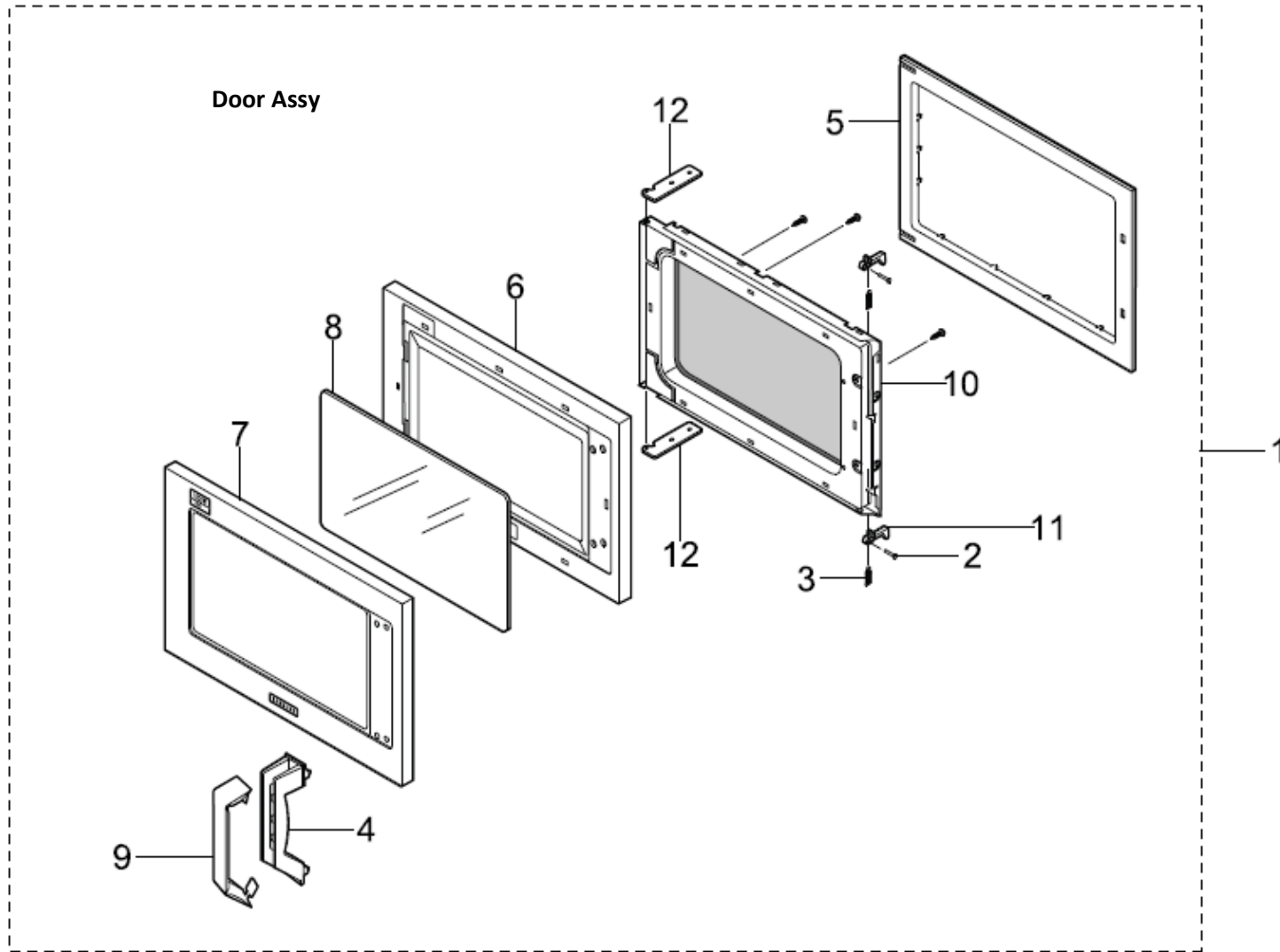
For Exploded View of Control Box Assy

[Click here](#)

Main Machine



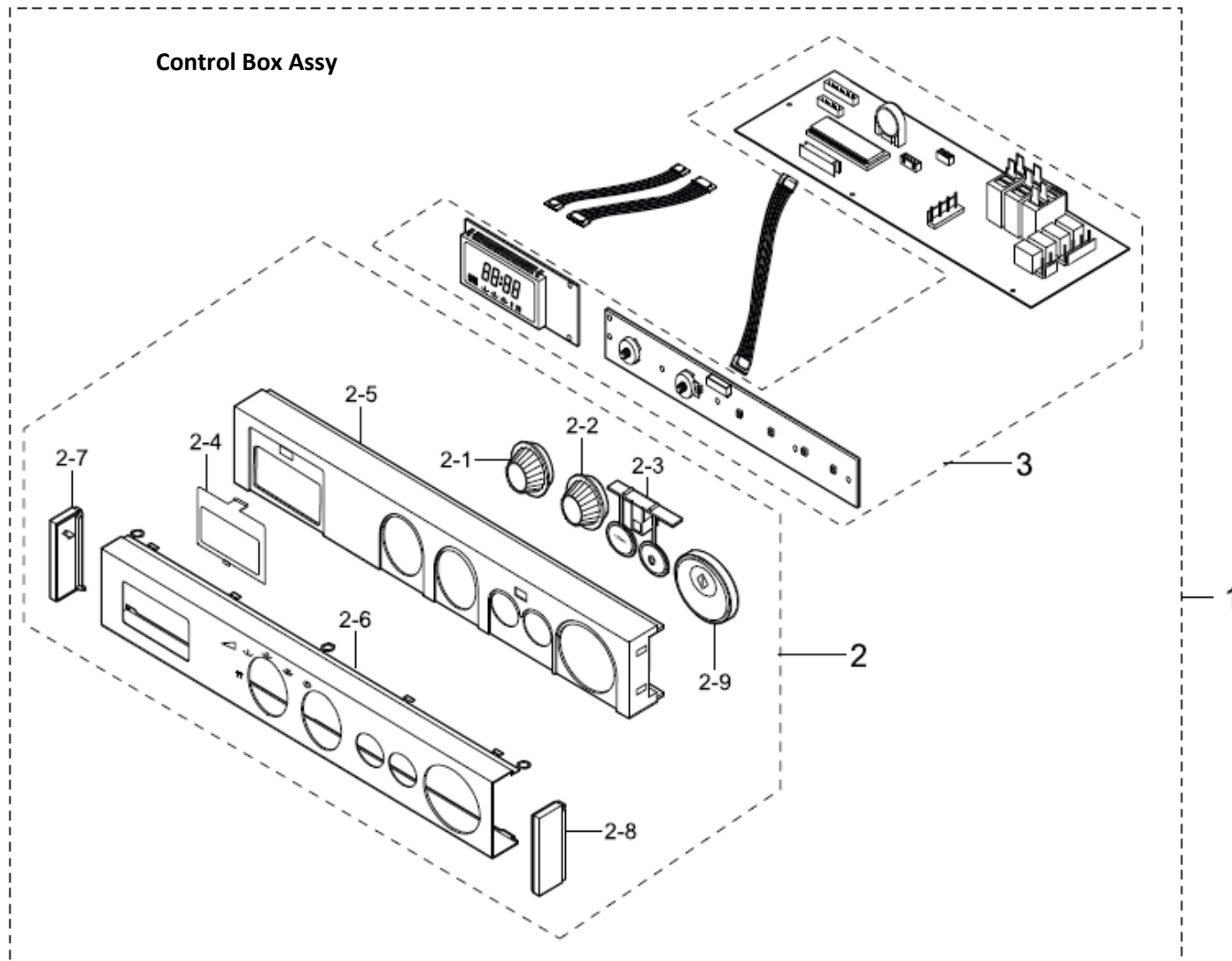
No.	Part code		Description
1	4713-000168	✓	LAMP-INCANDESCENT; 230V,25W,ORG
2	DE01-00095A		FILM-LAMP; PET,PET,84,T0.15,114,CM-1819
3	OM75P-20-ESRN		MGT; MGT
4	DE26-00058B	✓	TRANS H.V; SHV-906EG2,240V,50Hz,2460V/3.4
5	DE31-10164B		MOTOR SYNCHRONOUS; M2CK34A709-H(B),120V60
6	DE47-20017A		THERMOSTAT; -,NT-101,250V 10A/125V 15A,-,
7	DE47-40029A		SOCKET-LAMP; 250V2A,-,-,22.23,E14,-,-,-,-
8	DE61-50520A		BRACKET-PCB; -,SECC,T0.8,CM-1819,-,-,-
9	DE61-50541A		BRACKET-EARTH; -,SGCC2,T1.0,W15,L8,-,-
10	DE61-90318A		HOLDER-LAMP; W134,SECC,-,W134,L40.5,-,L40
11	DE69-90054A	✓	CLIP-STIRRER; 5mm,PFA,CM1819/29
12	DE70-30123A		PANEL-OUTER; -,STS430,T0.6,CM-1819,-,-,-
13	DE72-50088A		DUCT-FAN; CM-1819,ALCOAT,T0.5,-,-,-,-
14	DE72-50089A		DUCT-MGT/R; CM-1819,SECC,T0.5,-,-,-,-
15	DE72-50090A		DUCT-MGT/L; CM-1819,SECC,T0.5,-,-,-,-
16	DE73-90027A		FERRITE-CORE; T13.8,NI-ZN,BNF-14(K150),L2
17	2301-001519		C-FILM,LEAD-PEF; 100nF,10%,275V,BK,7X13X1
18	2501-001282	✓	C-OIL; 1.00uF,2100V(CLASS P),AL CAN TYPE
19	DE31-10180A	✓	MOTOR VENTILATION; SMV-1829EA,240V50Hz,22
20	DE61-00421A		BRACKET-HVC; CM1829,SECC,T0.8,-,-,-,-
21	DE61-30189A		SUPPORT-FAN-MOUNT; -,SECC,T1.0,CM-1819,-,
22	0402-000137		DIODE-RECTIFIER; 1N4007,1000V,1A,DO-41,TP
23	DE91-70061A	✓	ASSY H.V.FUSE; -,THV060T-0800-H,5KV/0.80A
24	DE72-50090A		DUCT-MGT/L; CM-1819,SECC,T0.5,-,-,-,-
25	DE92-90514A		ASSY-BACK COVER; CM-1819,-,CM-1829,
26	DE92-90515A	✓	ASSY STIRRER; CM-1819/CM-1829,-
27	DE92-90516B		ASSY BRACKET-FILTER; CM1819,-,-,-
28	DE92-90519A		ASSY DUCT-AIR; CM1819/29,-,-,CM1819/29
29	DE47-20169A		THERMOSTAT; -,NT-101,250V 10A/125V 15A,-,
30	DE72-50091A		DUCT-OVEN; CM-1819,STS430,T0.4,-,-,-,-
31	DE94-02308A		ASSY FILTER-(20); OM75S,P(20),N,(20)
32	DE72-50089A		DUCT-MGT/R; CM-1819,SECC,T0.5,-,-,-,-
33	DE96-00734A	✓	ASSY NOISE FILTER; CM1929,SN-CM1929,250V
36	DE61-90318A		HOLDER-LAMP; W134,SECC,-,W134,L40.5,-,L40
37	DE93-10106C		ASSY BASE PLATE; CM1819,SECC,-,-
38	DE61-50546A		BRACKET-BASE; -,SECC,T1.0,W25,L34,-,-
39	DE80-10113C		BASE-PLATE; CM1819,SECC1,T1.0,-,-,-,-
40	DE93-20097E	✓	ASSY BODY LATCH; CM1819/1829,EUROPE
40-1	3405-001034		SWITCH-MICRO; 125/250VAC,16A,200gf,SPST-N
40-2	3405-001032	✓	SWITCH-MICRO; 125/250VAC,16A,200GF,SPDT
40-3	DE61-00066A		SPRING-Q; CM1819/1829,MSWR,PI0.8,-,-,-,-
40-4	DE66-40062A	✓	LATCH-BODY; CM-1819,PBT,-,-,-,-,-
40-5	DE66-90107A	✓	LEVER-SWITCH(U); -,PBT,CM-1819,-,-,-,-,-
40-6	DE66-90108A	✓	LEVER-SWITCH(L); -,PBT,CM-1819,-,-,-,-,-
41	DE61-50521B		BRACKET-FILTER; CM1819,STS 430,T0.5,-,-,-
42	DE96-00180B		ASSY POWER CORD; BSI,Flag,250V/13A,H07RNSA
43	DE97-00319B	✓	ASSY-TRAY CERAMIC; CM1929A/XEU,MWO-COMMER
44	DE61-00170A		FOOT-TRAY; CM1049,URETHANE,-,WHT,-,-,-
45	DE97-00562A	✓	ASSY COVER PANEL; CM1019,PP+SGL,-,-
46	DE63-00315A		COVER-STIRRER; CM1019,PP,NATUAL
47	DE63-00324A		COVER-CEILING; CM1019,SGL(SILCON GLASS LA



Exploded diagram and spare parts list

DN586

No.	Part code		Description
1	DE92-40195Y		ASSY DOOR; CM1619,STS,-,1600W
2	DE60-60080A		PIN-KEY; -,STS304,-,-,L21,-,- SA
3	DE61-70144A		SPRING-KEY; -,HSWR,PI1.0,-,OD6.5,L32.8,21
4	DE64-20123A		HANDLE; CM-1819,ZN,-,-,-,CM-1819,-
5	DE64-40298A	✓	DOOR-C; -,PP,-,-,-,-,-
6	DE64-90145A		DECORATION-DOOR; -,ABS,CM-1819,-,-,-,CM-1
7	DE64-90146A		DECORATION-COV/DOOR; -,STS,CM-1819,-,-,-
8	DE67-20174H		SCREEN-DOOR(B); CM1619,GLASS,3.2,198.5,36
9	DE71-60433A		COVER-HANDLE; -,STS430,T0.5,CM-1819,-,-,-
10	DE92-50132B		ASSY DOOR E; CM-1819,-,BLK,COATING
11	DE64-40296B		DOOR-KEY; CMO COMMERCIAL,CR3C + ZINC DIEC
12	DE61-80138A		HINGE; -,SECC,T3.0,W24.5,L29.5,-,-,-



Exploded diagram and spare parts list

DN586

No.	Part code		Description
1	DE94-02181E		ASSY CONTROL BOX; CM1519-1/XEU,230V50HZ,B
2	DE93-30528P	✓	ASSY CONTROL PANEL; CM1519-1/XEU,BLACK,ST
2-1	DE64-10143A		KNOB-POWER; -,RESIN-ABS,-,-,-,Ni,Cr-pla
2-2	DE64-10144A		KNOB-TIMER; -,RESIN-ABS,-,-,-,Ni,Cr-pla
2-3	DE66-20211D		BUTTON-SELECT; CM1519-1/XEU,ABS
2-4	DE67-40161B		WINDOW-DISPLAY; CM1929,PMMA,SMOG
2-5	DE70-30126A		PANEL-BASE; -,RESIN-ABS,ME,CM-1819,-,-,-,
2-6	DE71-60427A		COVER-PANEL; -,STS430,T0.5,ME,CM-1829,-,-
2-7	DE71-60428B		COVER-PANEL(L/L); CM1019,ABS,-,-,-,-,-,
2-8	DE71-60429B		COVER-PANEL(L/R); CM1019,ABS,-,-,-,-,-,
2-9	DE64-02601A		BUTTON-START; CM1519-1/XEU,ABS(SD0150),CR
3	RCS-SMS2CM-02		RCS-SMS2CM-02,PCB; RCS-SMS2CM-02,PCB

